

2025-2027

2025BFFWZ00752

2025 4

	3
	8
	8
1	().....	22
2	().....	23
3	().....	24
4	().....	25
5	26
6	27
7	29
	30
1.	31
2.	35
3.	37
4.	40
5.	42
6.	42
7.	44
8.	44
9.	45
10.	46
	47
	51
	51
1.	69
2.	69
3.	70
	73
	111
	121
	122
	144
	148

2025-2027

1.

- 1.1 2025-2027
- 1.2 /
- 1.3 /
- 1.4 _____
- 1.5 _____
- 1.6 _____
- 1.7 100%
- 1.8 _____

2.

- 2.1 2025-2027
- 2.2 2025BFFWZ00752
- 2.3 1
- 2.4 2025BFFWZ00752
- 2.5 _____
- 2.6 2025-2027
- 2.7 2025 5
- 2.8 730
- 2.9 _____

2.10 _____

2.11 850

2.12 /

3.

3.1

3.1.1

3.1.2 2020 1 1

70

3.1.3

B

3.1.4 /

3.1.5 _____

1 _____ 6 _____ 10 _____

2 _____ 12 _____ 15 _____

3 _____ 18 _____ 20 _____

4 _____ 24 _____ 25 _____

3.1.6 _____

3.2 1.4.3 1.4.4

3.3 /

4.

4.1 2025 04 03

4.2

1

2

"

4.1

"

3

9 00-17 30

0512-58188516

0551-66223177 66223831

4.3

0

5.

2025 04 23 09 30

6.

7.

"

"

8.

8.1 2025 04 23 09 30

8.2

2588

A

2 6

"

"

9.

9.1

9.2

9.3

11.1 11.2

10.

11.

11.1

118

230000

0551-63453832

11.2

2588

230000

0551-66223177 66223831

11.3

11.4 0512-58188516

11.5 0551-12345

2588
0551-66223530 0551-66223680

12.

13.

: 2025-2027

1023701021001095993257110

176753693551

1.10.2		<u> / </u> <u> / </u>
2.1 7		<u> / </u>
2.2.1		<u>2025</u> <u>4</u> <u>12</u> <u>17</u> <u>30</u>
2.2.2		
2.3.1		
3.2.1		1 2 3 4
3.2.3		
3.2.4		

		6
3.4.3		2023 3
3.4.4 3		/
3.6.1		
3.7.4		

		1 2 U
4.1.2		/
4.2.2		/
4.2.3		
5.1		
5.2		3 <u>30</u> 5 " "
6.3.2		<u>1</u>
6.4		1 2 <u>3</u> 3

		a. b. c. d. e. f.
7.1		
7.2		
7.3		1 2
8.1.1		

		3.4.4
		6

10		
10.1		
10.2		
10.3		<p>1 2022 580</p> <p>2 2020 29</p> <p>3</p> <p>4 2020 84</p> <p>5</p> <p>2021 40</p> <p>6 2021 2</p>

		7
10.4		1 2 <u>15</u>
10.5		1 2
10.6		1

2023-AHF-FJSZ-11

2

0

-

,

		2
		3
		4
		2021 40) (
		5
		2021 2
		6 " " "
		"

10.11		1 2 3
10.12		1 * 1 4000 4000 80% 2

1

1.			
			/
100	1.5%	1.5%	1.0%
100-500	1.1%	0.8%	0.7%
500-1000	0.8%	0.45%	0.55%
1000-5000	0.5%	0.25%	0.35%
5000-10000	0.25%	0.1%	0.2%
10000-100000	0.05%	0.05%	0.05%
100000	0.01%	0.01%	0.01%

6000

*80%

100 $\times 1.5 \times 80\%$ 1.2

500 100 $\times 0.8 \times 80\%$ 2.56

1000 500 $\times 0.45 \times 80\%$ 1.8

5000 1000 $\times 0.25 \times 80\%$ 8

6000 5000 $\times 0.1 \times 80\%$ 0.8

1.2 2.56 1.8 8 0.8 14.36()

1 ()

1. /
2.
3.

/

3

()

4

	<p>1.</p> <p>2.</p> <p style="text-align: right;"><u>2024</u></p> <hr/> <p>6 1</p>

5

1

2024 6 1

2

6

1.		1.4.3	1.4.4
2.	/		

1.

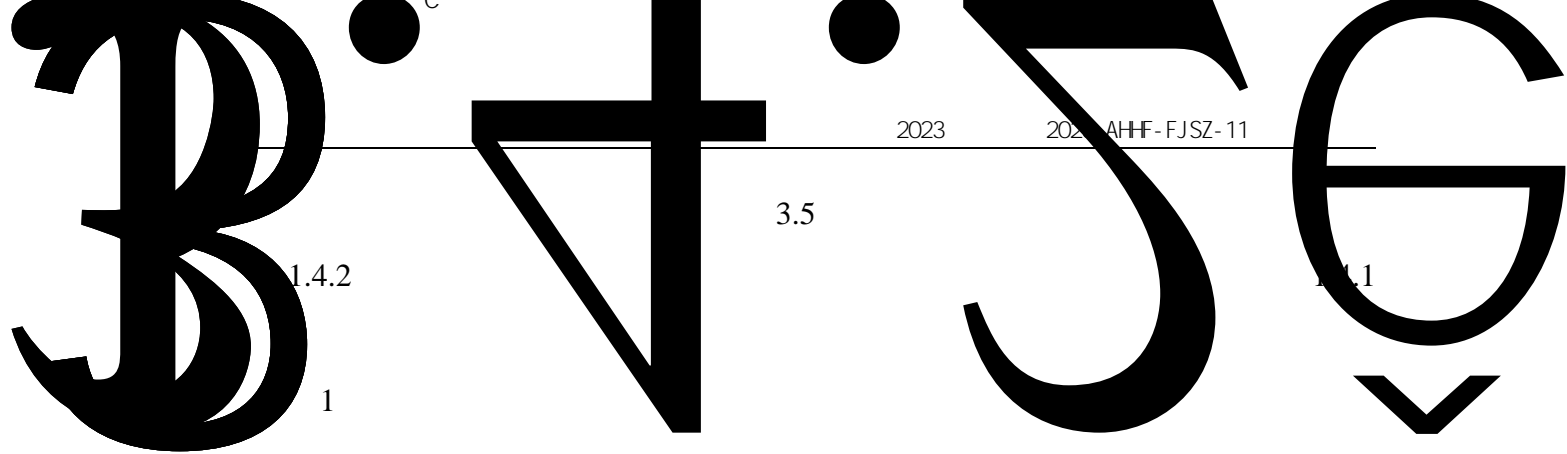
"

"

"

"

/	/	/



1.4.2

1

2

3.5

1.1

-

12

13

14

3

15

16

1.4.4

1 <http://www.gsxt.gov.cn/>

2 " " <http://www.creditchina.gov.cn/>

3 " " <http://www.creditchina.gov.cn/>

4

1.5

1.6

1.7

1.8

1.9

1.9.1

1.9.2

1.9.3

1.9.4

m

∇ ∆ φ ∘ i ∪ i # ∆ • /
D A C X X % E E

0

18

1

2

1 ùě m'í

1.11.2

1.12

1.12.1

01.12.22

"

0

0"

"

E

W

ΠΣΣ

E

L

1

1

2

Σ

Π

W

0

2

3

4

5

6

7

1.10

2.2

2.3

2.2

2.2.1

2.2.2

2.2.3

15

2.2.4

2.2.1

2.3

2.3.1

2.3.2

15

2.4

10

3

3.

3.1

3.1.1

1

2

3

3.1.2

3.2

3.2.1

"

"

3.2.2

3.2.3

"

"

4.3

3.2.4

3.2.5

3.3

3.3.1

120

3.3.2

3.3.3

3.4

3.4.1

"

"

3.3.3

3.4.2

3.4.1

3.4.3

5

5

3.4.4

1

2

3

3.5

3.5.1

"

"

3.5.2

3.5.3

3.6

3.6.1

3.6.2

3.6.3

3.7

3.7.1

"

"

3.7.2

3.7.3

1

"

"

"

"

2

"

"

/

/

3

4

5

"

"

3.7.4 "

"

3.7.5

4.

4.1

4.1.1

3.7.3

4.1.2

4.2

4.2.1 " "

4.2.2

4.2.3

4.2.4

4.2.5

4.2.6 5.2 o \$ Ö

4.3

4.3.1 " "

—

5.

5.1

5.2

1

2

3

4

5

6

5.3

6.

6.1

6.1.1

6.1.2

1

2

3

4

5

6.1.3

6.2

6.3

6.3.1

"

"

"

"

6.3.2

6.4

3

3

6.5

3

6.6

7.

7.1

7.2

3

7.3

3.3

8.

8.1

8.1.1

8.1.2

8.1.1

8.2

8.2.1

10

8.2.2

10‰

8.2.3

8.2.4

9.



9.1

9.3

"

9.4

9.5

9.5.1

10

9.5.2

2.4

5.3

6.5

9.5.1

10.

20

U

U

U

1

1

2

2020 16

1.2		1 2 3
1.3		/
1.3		1
2.1		" " "
2.2.1	<u>100</u>	<u>10</u> <u>30</u> <u>60</u>
2.2.2		" "
3.2.2 1		1

3.7.2		2
-------	--	---

2.1.1			
			/
			" "
			" " 3.7.3
			1 2 3
			" " 1 2 3 70%

2.1.2			/		
			" "	1.4.1	
			" "	1.4.1	
			" "	1.4.1	
			" "	1.4.1	
			" "	1.4.1	
			" "	1.4.1	
			" "	1.4.1	
			" "	1.4.3	1.4.4
			" "	"	"
2.1.3			" "	1.3.2	
			" "	3.3.1	
			" "	3.4.1	
			" "		

			" "	1.12.1

1. " " " " " "

"

2. " " "

" " "

" 2 " " 4

"

2.1.1			/
			1
			2 " "
			" " 3.7.3
2.1.3			1
			2
			3
			" " 1.3.1
			" " 3.2
		1	
		2	

			5	4 F 5 2 F 4 1 F 2
2.2.2 1			5	1. 2.

				4 F 5	2 F 4
				1 F 2	
				2020	1 1
					2 6
				1	
				2	
				3	
2.2.2			6		
2				4 a.	"
					"
					"
				b.	"
					"
				c.	" "
				"	" "
					"
				"	"
					"
			12	2020	1 1

				100			
				1.			
				2.			2
				3.	3	12	
				4.			
				2020	1	1	
						100	
				1.	3	6	
			6	2			
				1			
				2			
				1			
				(
)			
				2			

				3.
				4.
				5.
			6	1
				2
				3
				(
				2021 40)

				a.			
						* 70%	
				5			
						* 70%	
				b.			
						* 70%	
				5			
						* 60%	
					* 60%		1
				3			
					=		*C
				C			
				5			C

				<table border="1" style="margin: auto; border-collapse: collapse;"> <tr> <td style="width: 50%; text-align: center;">C</td> <td style="width: 50%; text-align: center;">C</td> </tr> <tr> <td style="text-align: center;">0</td> <td style="text-align: center;">0.95</td> </tr> <tr> <td style="text-align: center;">1</td> <td style="text-align: center;">0.96</td> </tr> <tr> <td style="text-align: center;">2</td> <td style="text-align: center;">0.97</td> </tr> <tr> <td style="text-align: center;">3</td> <td style="text-align: center;">0.98</td> </tr> <tr> <td style="text-align: center;">4</td> <td style="text-align: center;">0.99</td> </tr> </table> <p style="text-align: center;">4</p> <p style="text-align: center;">=100%x</p> <p style="text-align: center;">/</p> <p style="text-align: center;">" " * . **%</p> <p style="text-align: center;">5</p> <p style="text-align: center;">=F- *100*E1</p> <p style="text-align: center;">=F+ *100*E2</p> <p style="text-align: center;">F=<u>60</u> E1=<u>0.5</u> E2=<u>0.3</u></p>	C	C	0	0.95	1	0.96	2	0.97	3	0.98	4	0.99
C	C															
0	0.95															
1	0.96															
2	0.97															
3	0.98															
4	0.99															

1

" 3.2

" "

"

"

"

"

"

20%

15%

2

1

6

5

1

	1	2	3	4	5
1	28.0	30.0	22.0	25.0	20.0
2	28.0	28.0	28.0	24.0	22.0
3	26.0	28.0	25.0	25.0	23.0
4	24.0	24.0	28.0	23.0	20.0
5	22.0	22.0	24.0	22.0	22.0
6	22.0	22.0	22.0	22.0	30.0
1					
1	$28.0-26.0 \div 28.0 \times 100\%=7.14\%$				
1					
1	1	$=\{28.0-[\ 30.0+22.0+25.0+20.0 \div 4]\} \div$			
	$[\ 30.0+22.0+25.0+20.0 \div 4] \times 100\%=\{28.0-24.25\} \div [24.25] \times 100\%=15.46\%$				
1	2	$=\{28.0-[\ 28.0+28.0+24.0+22.0 \div 4]\} \div$			
	$[\ 28.0+28.0+24.0+22.0 \div 4] \times 100\%=\{28.0-25.50\} \div [25.50] \times 100\%=9.80\%$				

" "

a.

2

1

b.

2.2.2 1

2.2.2 1

A

=A

1.

1.1

1.2

3.7

3.8.1

1.3

1.4

1.5

"

"

2.

2.1

2.1.1

2.1.2

2.1.3

2.2

2.2.1

2.2.2

1

2

3

3.

3.1

2.1.1

2.1.2

2.1.3

3.2

3.2.1

2.2

1

2.2.2 1

A

2

2.2.2 2

B

3.2.2

1

2.2.2 1

2

2.2.2 2

2.2.2 2

3.2.3

2.2.2 1

90%

60%

3.2.4

=A+B

3.3

3.4

3.4.1

2.1.1

2.1.3

3.4.2

1

2

3

4

3.4.3

3.5

3.5.1

2.2.2 3

C

3.5.2

" "

3.5.3

=A+B+C

3.5.4

3.6

3.6.1

2025- 2027

2025

2025- 2027

1

2025- 2027

1

2025- 2027

2

3

4

5

2

2.1

2025- 2027

2.2

3-100

3

3.1

3-100

3.2

3-100

3.3

4

4.1

850

4.2

2

5

5

5.1

8500000.00

%

5.2

=

5.3

6

6.1

6.2

7

6.3

3

100%

7

7.1

7.2

7.3

2

5

10000

10000

5

8

V3

2023

2023-AHF-FJSZ-11

11

11.1

2%

11.2

12

12.1

12.2

12.3

12.4

13

13.1

13.2

13.3

13.4

15

13.5

13.6

2025

2025

_____ ()

_____ ()

()

()
)
()

_____ ()

- 1.
- 2.
- 3.

_____ ()

_____ ()

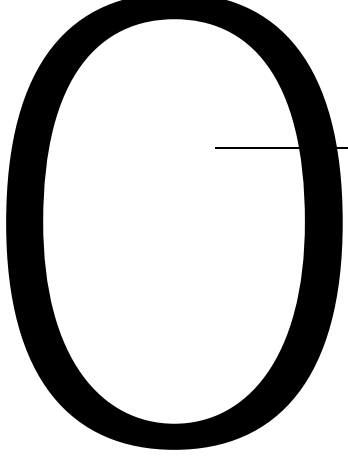
_____ " " _____ " "

_____ " "

" "

_____ ¥ _____

- 1
- 2
- 3
- 4
- 5



2025- 2027

1

9%

2

:

3

4

*

*80%

a

b

c

d

97%

3%

24

2

5

"

"

100%

x, m

97%

6.1

2018

(

/

6.2

1

6.1

1 3

2 _____

3

4

5

1

2 _____

3

1000 / /

4

10

3 /

5

/

6

30

7

8

9

10

11

12

ê

2

77

3

4

6

5

3

10.1.

10.2

1

2

3

/ /

4

1

5000 /

5

10000 /

2

10000 /

3

1

2025- 2027

2

3

() (GF-2017-0201)

1

— — —

2

3

2025

2025

3:

()

()

JGJ/T46-2024

JGJ59-2011

1. _____
2. _____
3. _____

1. _____
2. _____

1

2

3

4

5

6

7

8

1

2

3

4

5

6

7

8

()

1

()

2

19

()

1

2

3

4

1

5

6

7

8

9

JGJ46-88

10

()

1

2

3

4

5

6

7

()

1

2

3

4

" "

5

6

7

8

()

1

2

3

2

4

1

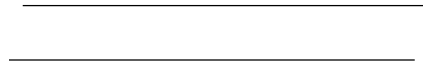
2

3



5

4:



5

1

2

3

4

5Ê

6

5

2

2 μ ç Æ1@ÀÒ² ;


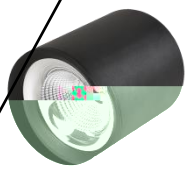

2


3

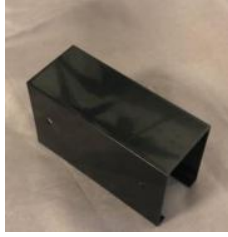
4

() _____	() _____
_____	_____
() _____	() _____
() _____	() _____
_____	_____
_____	_____
_____	_____
_____	_____
_____	_____
_____	_____

5:

			F-QTX-4C		
			F-QTX-6C		
			F-QTX-6C		
			F-TD-6CM		
			F-XDS-1200		

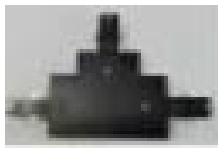
			F-XDS-1200						
			F-DZ						
			F-DZ						
			F-DZ						
			F-YTH						
			F-YTH-D						
			F-YTH						



F-YTH



F-YTH



F-YTH-T



F-SAX



F-SAX





3-100

2.1

3-100

2.2

3-100

3.1

1

1. 90%

2. = *

2018

(2018)

()

;

3.

4.

5. 850

1.

()

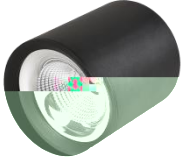

2

3.

1



2

				W	mm	(Ra)	(lm)		
									
									
			F-QT-5C						
			F-QTX-4C						
			F-QTX-6C						

			F-QTX-6C						
			F-TD-6CM						
			F-XDS-1200						
			F-XDS-1200						
			F-DZ						
			F-DZ						

			F-DZ						
			F-YTH						
			F-YTH-D						
			F-YTH						
			F-YTH						
			F-YTH						
			F-YTH-T						

			F-SAX						
			F-SAX						
		 Ex防爆认证 IP65防水工程专用 超亮LED防爆日光灯							
		 2.8米超长 紫光LED 建议使用: 10-80m² 150mm 420mm 电源线长1.5m 不用换灯管 配10张粘锡纸							
									
									
									
									
									
									

2025-2027

—

— —

1 _____

2

3 _____

4

1

2

3

4

5

6

5

6

7. _____

/

"

"

"

"

"

"

"

"

"

"

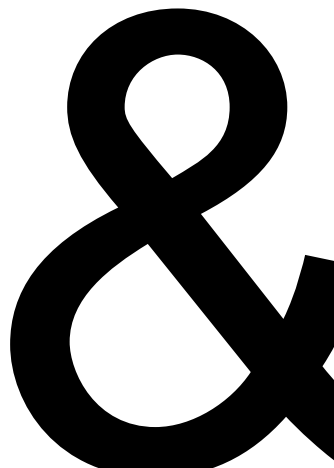
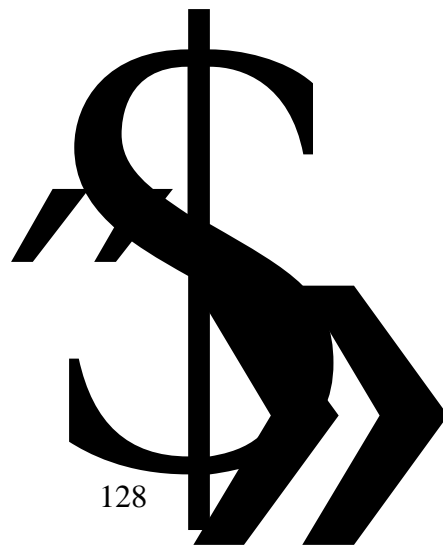
¥ _____

- 1
- 2
- 3
- 4
- 5

- 1
- 2
- 3

1

U



1.

2.

	1 2 3 <u>.....</u>			

"

"

1

1		
2		
.....		

1.

"

"

2.

"

2

"

1.

2.

“ ”

4

5

1		
2		
.....		

1.

"

"

2.

____ - ____ - ____

1		
2		
.....		

1.

"

"

2.

2025-2027

— — —

.....

2025-2027

—

— — —

1

_____ %

2

